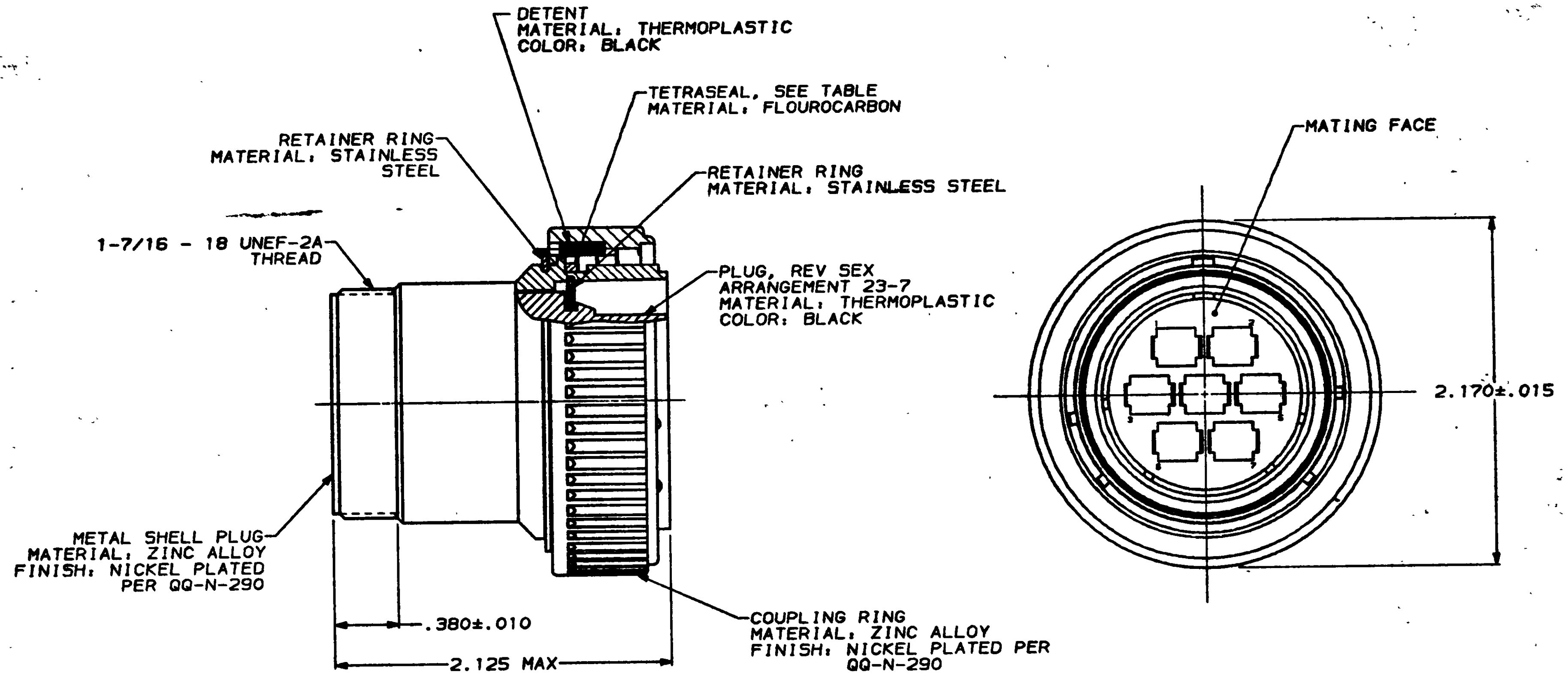


DRAWING MADE IN THIRD ANGLE PROJECTION

THIS DRAWING IS UNPUBLISHED. RELEASED FOR PUBLICATION .18
 COPYRIGHT © BY AMP INCORPORATED. ALL INTERNATIONAL RIGHTS RESERVED.

NO		LBR		DTSY		REVISIONS			
NO	DATE	BY	CHK	APPD	ZONE	LTR	DESCRIPTION	DATE	APPD
23	BD	35	P	P		N	REDRAWN	8-27-91	-
						P	REV PER ECN 805454	08/28/92	KB



YES	208484-3
NO	208484-1
TETRASEAL	PART NUMBER

- 208484-1 MATES WITH AMP RECEPTACLE 208485-1 OR -2.
208484-3 MATES WITH AMP RECEPTACLE 208485-1 ONLY.
- AMP PART NUMBER AND DATE CODE TO BE LOCATED ON COUPLING RING.

DO NOT SCALE PRINT. UNLESS SPECIFIED DIMENSIONS IN INCHES TOLERANCES ON: 2 PLC DEC * - 3 PLC DEC * - ANGLES * -	DR 8-27-91 R.LEE BG	AMP Incorporated Harrisburg, PA 17105-3808
MATERIAL	CHK 4-20-92 W.G.LENKER	
SEE CALLOUT	APPD 4-20-92 K.BEAVER	
FINISH	APPD 4-20-92 C.RONDE	
SEE CALLOUT	PRODUCT SPEC 108-10040	NAME PLUG ASSEMBLY, REV SEX, SERIES 3, 28-7, CMC
	APPLICATION SPEC	SIZE C
	WEIGHT	CAGE CODE 00779
		DRAWING NO 208484
		SCALE 2:1
		SHEET 1 OF 1

CUSTOMER DRAWING